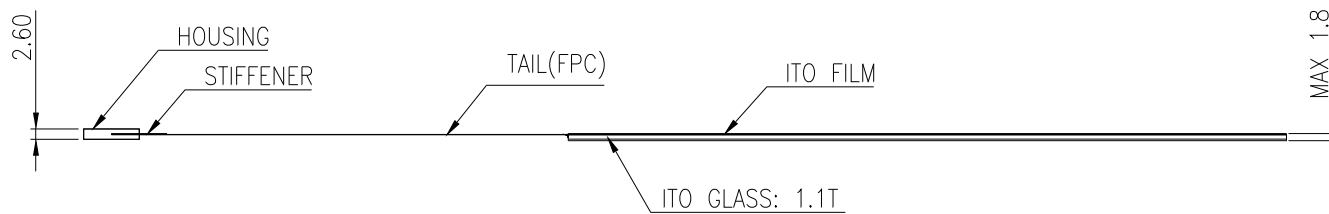
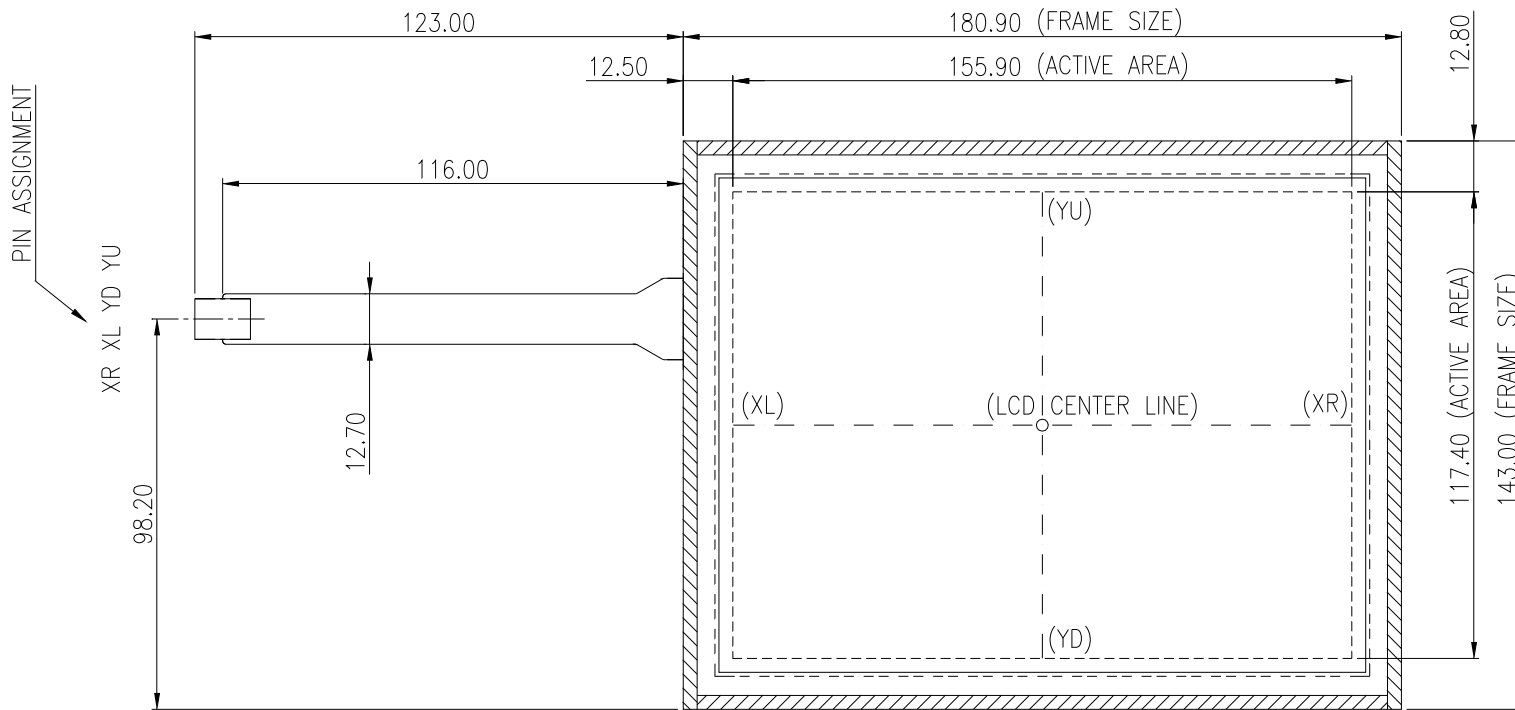


×



**NORTHPOINT
TECHNOLOGIES, INC.**

ITEM NO: TP4-075F-03			APPROVE:
UNIT: mm	SCALE: 1/1	DESIGN:	
TOL.: .XX	DATE:	DRAW:	